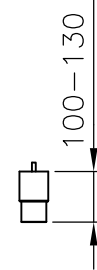
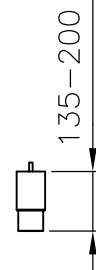
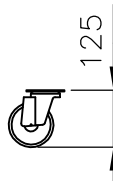



A			
	L1	L2	C
	Low legs	Medium legs	Castors

Revision:

Description: Dimensions K/F 410 General tolerances:
ISO 2768-1 (v)

 © Gram Commercial A/S DENMARK	Date: 11-09-2009	Drawing no.:	Sheet no.:	Rev.	A format
	Name: JABP	765041321	1 of 1	002	4
	Scale 1/15				

All rights to this drawing belongs to Gram Commercial A/S, cf. law of Copyright. Thus the drawing should not without our written permission be copied, presented or passed over to a third person. Misuse will lead to prosecution.